

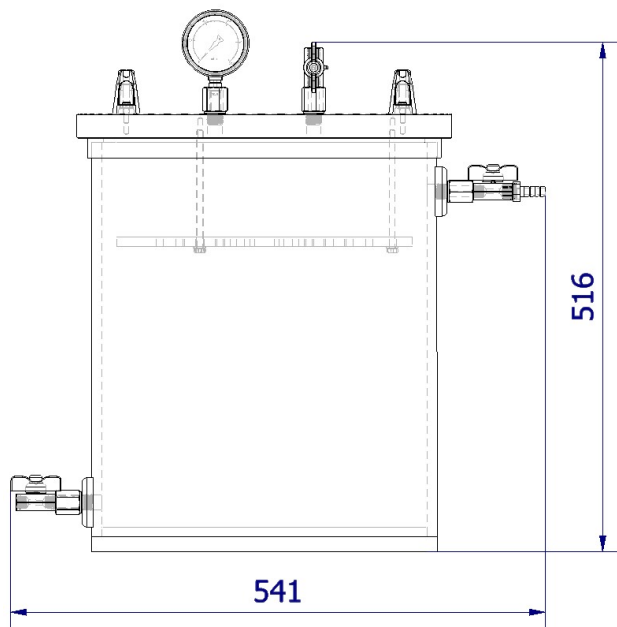
ACC34 – PT (Cylindrical)

Specification Sheet

The ACC34 - PT is an acrylic vacuum chamber, designed specifically as a package testing chamber for use with the water submersion bubble leak testing method for determination of leaks in flexible packaging.

Our ACB chambers are compliant with ASTM D3078-02 and ISO 20484 testing standards, they are pressure tested to 1×10^{-2} mbar and helium leak tested.

They can be supplied as chamber only, or full kits including vacuum pump.



Specifications

- Inside dimensions -
 - 330mm Inside Diameter x 400mm high
- Capacity - 34 Litres
- Weight - 13kg Approx.
- Material - Acrylic
- Nitrile L-Gasket
- Clear perforated acrylic submerge plate, suspended with stainless steel threaded studs for easy height adjustment
- ¼" BSP drain valve
- Lid mounted 63mm glycerine filled vacuum dial gauge.
- Lid mounted air admittance ball valve
- Side mounted vacuum inlet port with vacuum isolation ball valve.
- Side mounted adjustable vacuum regulator, 240 ltr/min maximum flow.

Options/Extras

- Vacuum Pump